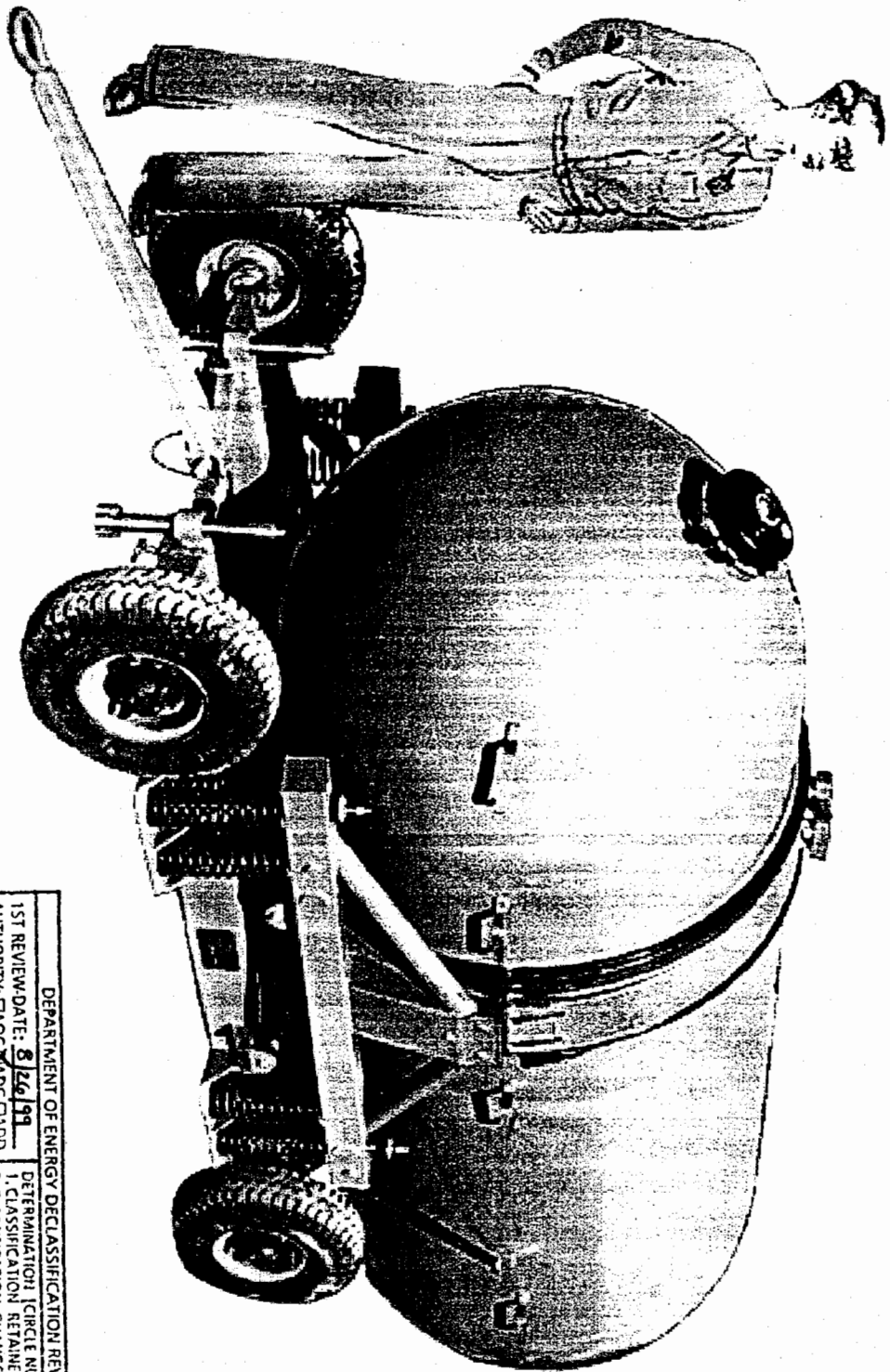


~~CONFIDENTIAL~~



DEPARTMENT OF ENERGY DECLASSIFICATION REVIEW	
1ST REVIEW DATE: 8/26/99	DETERMINATION (CIRCLE NUMBER(S))
AUTHORITY: EAOC, DADC, DADD	1. CLASSIFICATION RETAINED
NAME: [Signature]	2. CLASSIFICATION CHANGED TO: _____
2ND REVIEW DATE: 11/22/99	3. CONTAINS NO DCE CLASSIFIED INFO
AUTHORITY: ADD	4. COORDINATE WITH: _____
NAME: [Signature]	5. CLASSIFICATION CANCELLED
	6. CLASSIFIED INFO BRACKETED
	7. OTHER (SPECIFY): _____

General Order H-46 Roadable for MK5 Weapon

~~CONFIDENTIAL~~

~~NATIONAL SECURITY INFORMATION  
Unauthorized Disclosure of this Information is a Criminal Sanction~~

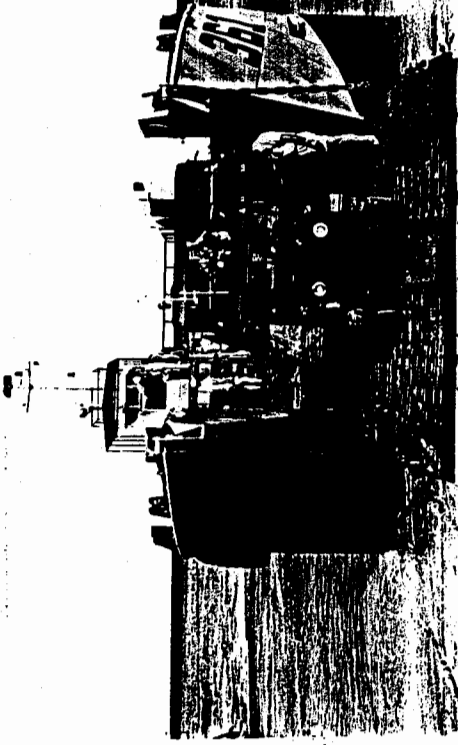
99 SA 215000 219

49020014569000

26

09020016577000

~~CONFIDENTIAL~~



DEPARTMENT OF ENERGY DECLASSIFICATION REVIEW	
1ST REVIEW DATE: 8/20/99	DETERMINATION (CIRCLE NUMBER(S))
AUTHORITY: OAC/BAAC/DAD	1. CLASSIFICATION RETAINED
NAME: W. B. [Signature]	2. CLASSIFICATION CHANGED TO:
2ND REVIEW DATE: 11/22/99	3. CONTAINS NO DOE CLASSIFIED INFO
AUTHORITY: ADD	4. COORDINATE WITH:
NAME: [Signature]	5. CLASSIFICATION CANCELLED
	6. CLASSIFIED INFO BRACKETED
	7. OTHER (SPECIFY):

065-4763, 069204

Cheokee Convoy, 0-1

Loading Barque @ Site E/mer

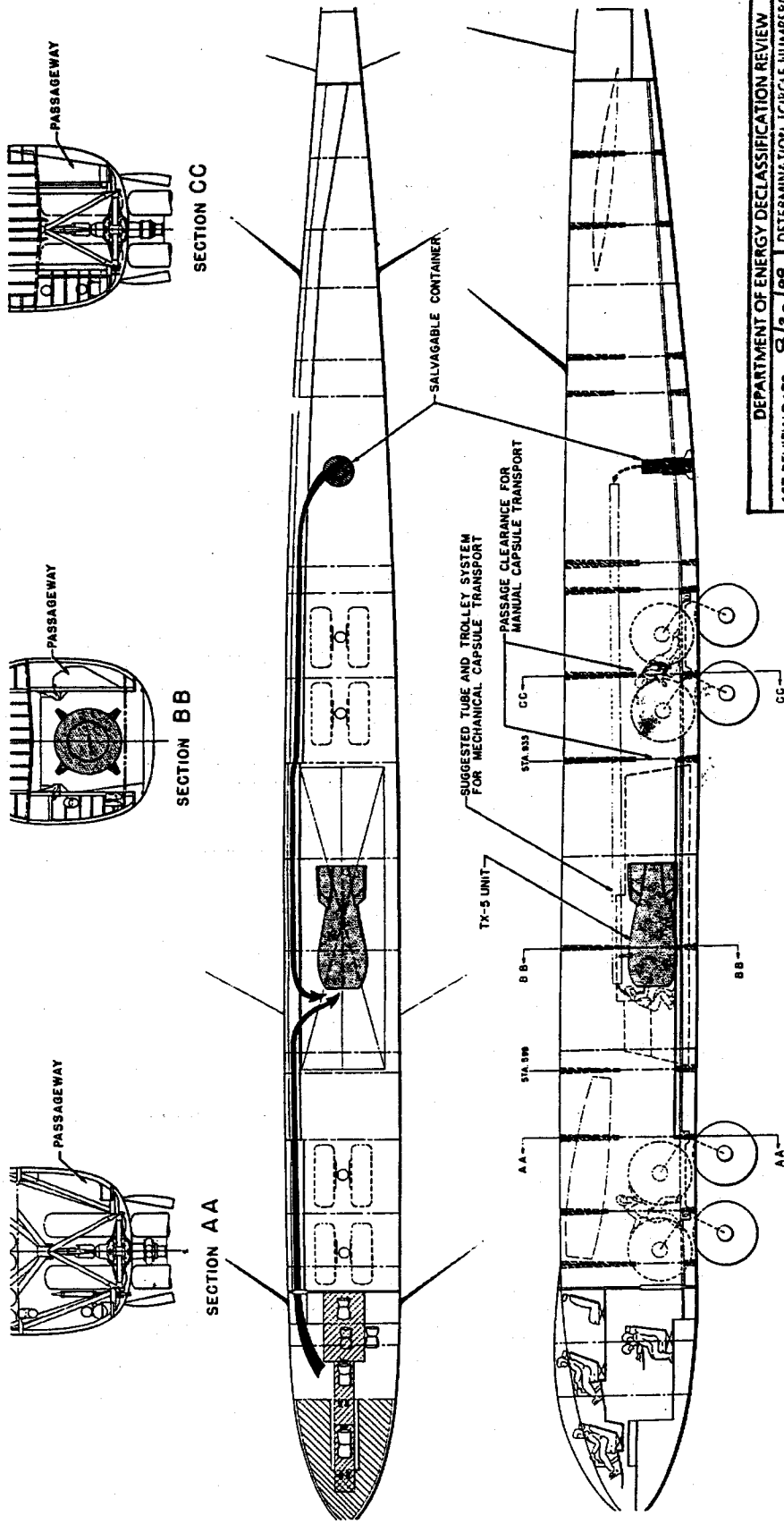
NATIONAL SECURITY INFORMATION

Unauthorized disclosure subject to Administrative and Criminal Sanctions

34

~~CONFIDENTIAL~~

~~CONFIDENTIAL~~



DEPARTMENT OF ENERGY DECLASSIFICATION REVIEW	
1ST REVIEW DATE: 8/30/99	DETERMINATION (CIRCLE NUMBER(S))
AUTHORITY: OAC/ABC/ADD	1. CLASSIFICATION RETAINED
NAME: W. B. D.	2. CLASSIFICATION CHANGED TO:
2ND REVIEW DATE: 11/23/99	3. CONTAINS NO INFO CLASSIFIED
AUTHORITY: ADD	4. COORDINATE WITH: 100-1144
NAME: J. M. Henry	5. CLASSIFICATION CANCELLED
	6. CLASSIFIED INFO BRACKETED
	7. OTHER (SPECIFY): 100-1144
DATED 4/18/00	

Fig. 14. Tentative capsule carriage requirement, Air Force XB-52

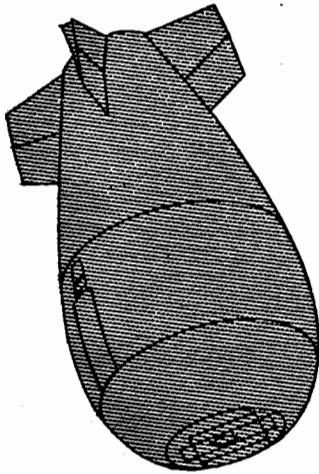
~~CONFIDENTIAL~~

This Document contains Restricted Data as defined in the Atomic Energy Act of 1954. Unauthorized disclosure is prohibited by Executive Order 12958, subject to Administrative and Criminal Penalties.

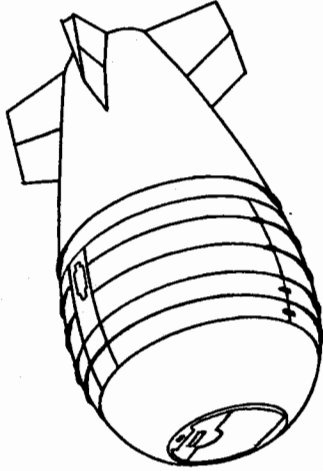
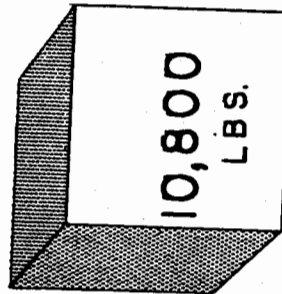
~~SECRET~~

~~SECRET~~

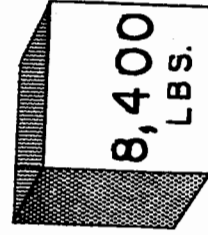
# WEIGHT COMPARISON



MK 4



MK 6



DEPARTMENT OF ENERGY DECLASSIFICATION REVIEW	
1ST REVIEW DATE: 8/30/99	DETERMINATION (CIRCLE NUMBER(S))
AUTHORITY: EAOC DADC EADD	1. CLASSIFICATION RETAINED
NAME: [Signature]	2. CLASSIFICATION CHANGED TO:
2ND REVIEW DATE: 11/22/99	3. CONTAINS NO DOE CLASSIFIED INFO
AUTHORITY: ADD	4. COORDINATE WITH:
NAME: [Signature]	5. CLASSIFICATION CANCELLED
	6. CLASSIFIED INFO BRACKETED
	7. OTHER (SPECIFY):

This document is classified as ~~SECRET~~ as defined in the Atomic Energy Act of 1954. Unauthorized disclosure is prohibited. Subject to Administrative and Criminal Sanctions.

~~SECRET~~

~~SECRET~~

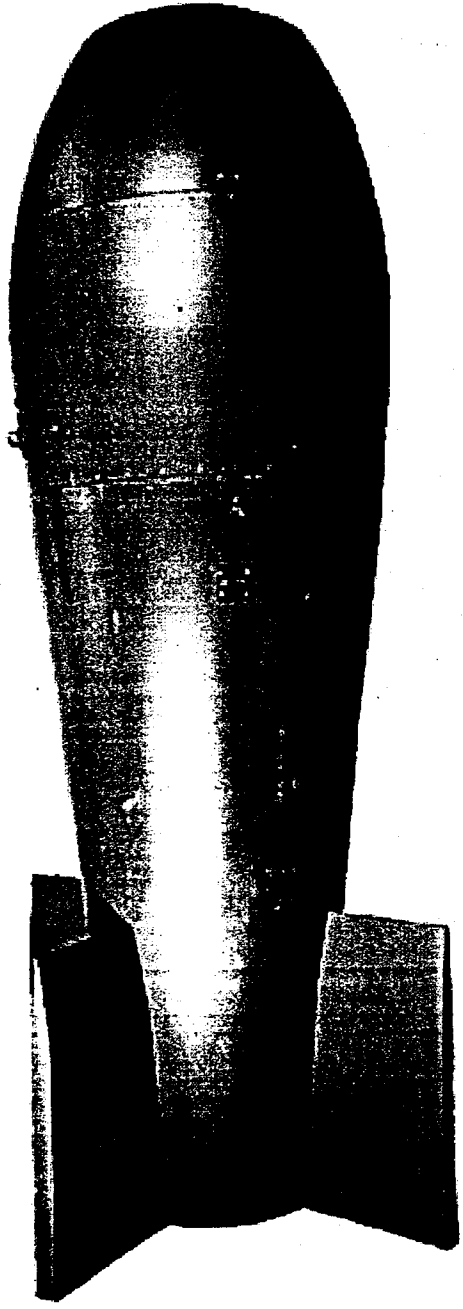
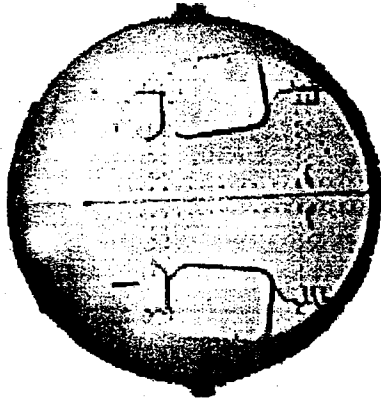
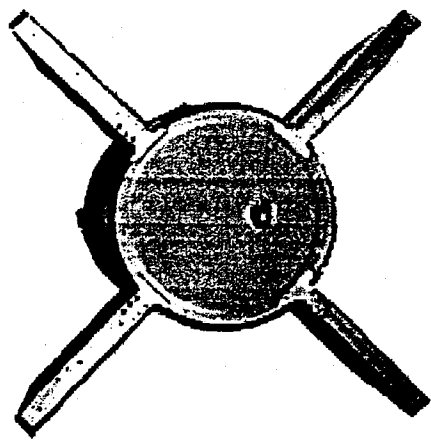
5A13 20166 2 5000

(7)

995A203000219

SL

~~SECRET~~



DEPARTMENT OF ENERGY DECLASSIFICATION REVIEW	
1ST REVIEW DATE: 8/30/99	DETERMINATION (CIRCLE NUMBER(S))
AUTHORITY: OAC BAC DADD	1. CLASSIFICATION RETAINED
NAME: [Redacted]	2. CLASSIFICATION CHANGED TO:
2ND REVIEW DATE: 11/24/99	3. CONTAINS NO DOE CLASSIFIED INFO
AUTHORITY: ADD	4. COORDINATE WITH:
NAME: [Redacted]	5. CLASSIFICATION CANCELLED
	6. CLASSIFIED INFO BRACKETED
	7. OTHER (SPECIFY):

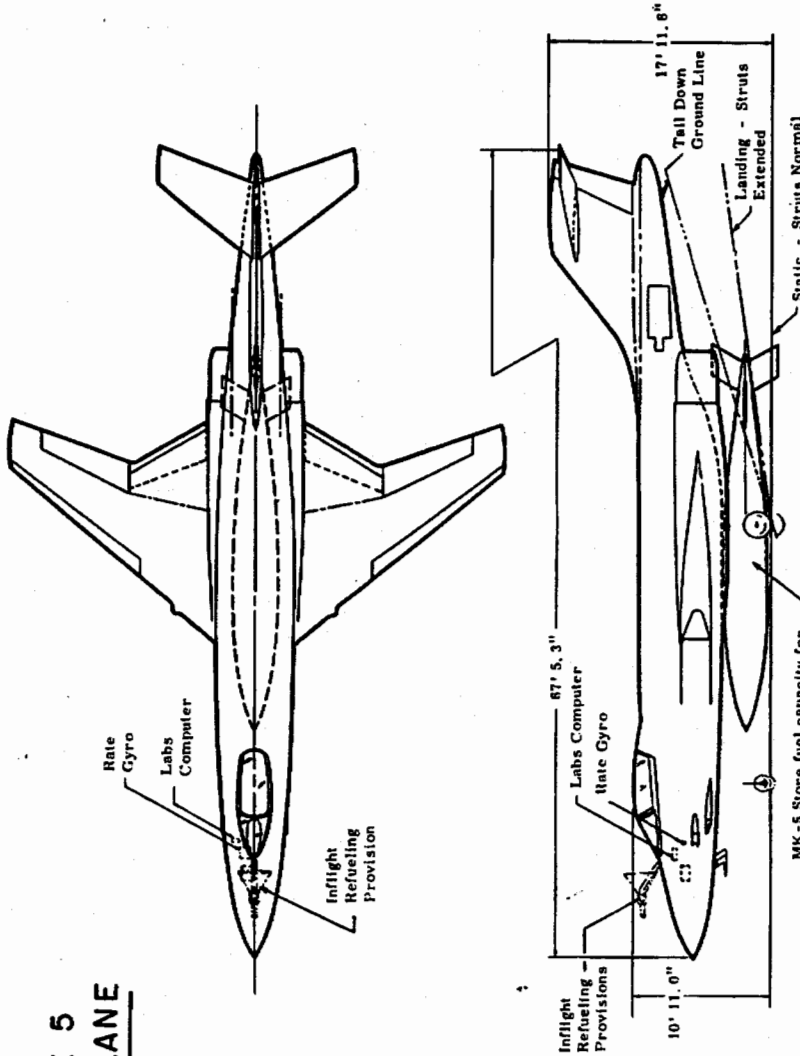
~~SECRET~~

~~SECRET~~ MK-5 Front, Side & Rear View

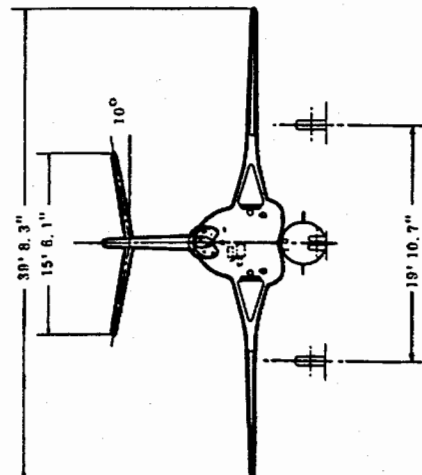
~~RESTRICTED DATA~~  
This document contains information that is exempt from release under the Atomic Energy Act of 1954. Unauthorized disclosure of this information may result in severe and criminal sanctions.

~~SECRET~~

PROPOSAL - INST. MK 5  
STORE - FIOIA AIRPLANE



MK-5 Store fuel capacity for condition "4" = 703 gal.  
Take off weight = 8486 lbs.  
"Drop" weight = 3926 lbs.



DEPARTMENT OF ENERGY DECLASSIFICATION REVIEW

1ST REVIEW DATE: 9/2/99  
 AUTHORITY: DAOC/DA/C/DA/D  
 NAME: J.A. B...  
 2ND REVIEW DATE: 11/24/99  
 AUTHORITY: ADD  
 NAME: Jim Heeney

DETERMINATION (CIRCLE NUMBER(S))  
 1. CLASSIFICATION RETAINED  
 2. CLASSIFICATION CHANGED TO:  
 3. CONTAINS NO DOE CLASSIFIED INFO  
 4. COORDINATE WITH:  
 5. CLASSIFICATION CANCELLED  
 6. CLASSIFIED INFO BRACKETED  
 7. OTHER (SPECIFY):

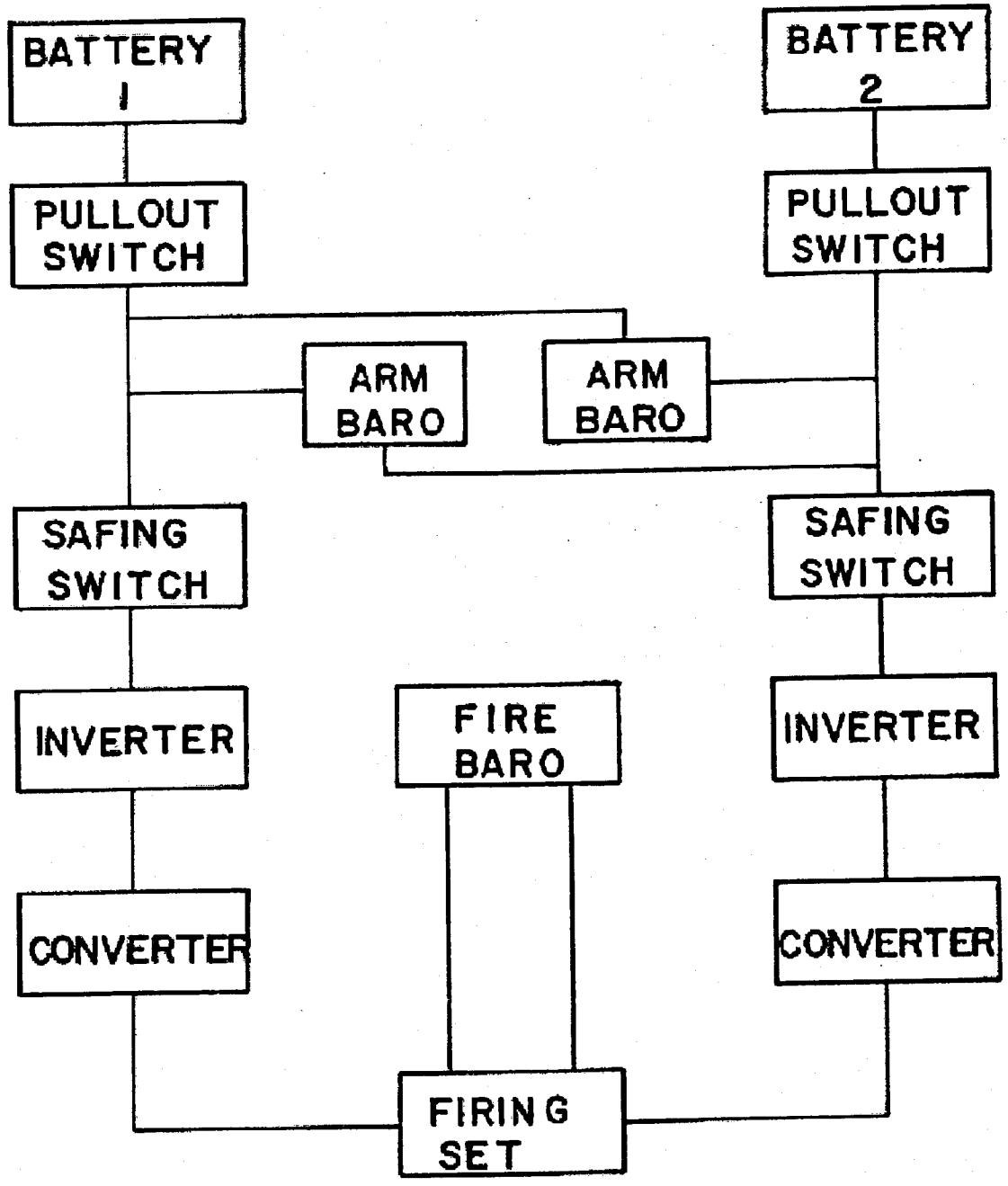
F101A Plane Carrying MK5

~~SECRET~~

~~RESTRICTED DATA  
 This document contains Restricted Data as defined in the Atomic Energy Act of 1954 and authorized disclosure only to personnel of the Department of Energy and its contractors and Criminal Sanctions apply.~~

~~SECRET~~

# BLOCK DIAGRAM OF MK 14 FUZING SYSTEM



SK(1244)41674

DEPARTMENT OF ENERGY DECLASSIFICATION REVIEW

DETERMINATION (CIRCLE NUMBER(S))

1. CLASSIFICATION RETAINED

2. CLASSIFICATION CHANGED TO:

3. CONTAINS NO DOE CLASSIFIED INFO

4. COORDINATE WITH:

5. CLASSIFICATION CANCELLED

6. CLASSIFIED INFO BRACKETED

7. ATTACHED / REFERENCE

1ST REVIEW DATE: 8/31/99

AUTHORITY: OAC/BAAC/OADD

NAME: W. B. [Signature]

2ND REVIEW DATE: 11/21/99

AUTHORITY: ADD

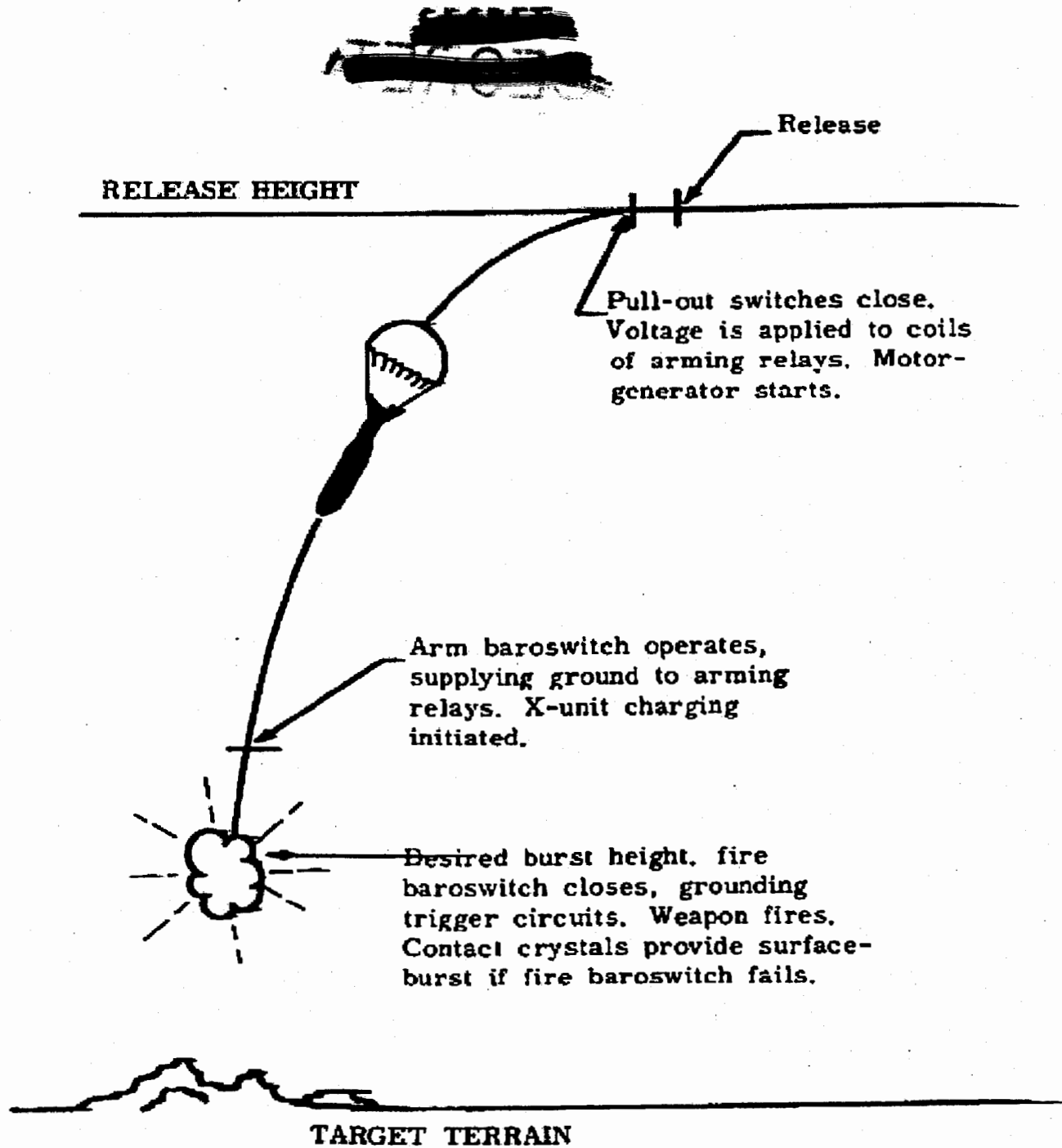
NAME: [Signature]

~~RESTRICTED~~

This Document Contains Restricted Data as defined in the Atomic Energy Act of 1954. Unauthorized disclosure is prohibited and may be subject to Administrative or Criminal Penalties.

~~SECRET~~

(118)



Operational Sequence of Mk 17 Fuze, Air-Burst Option

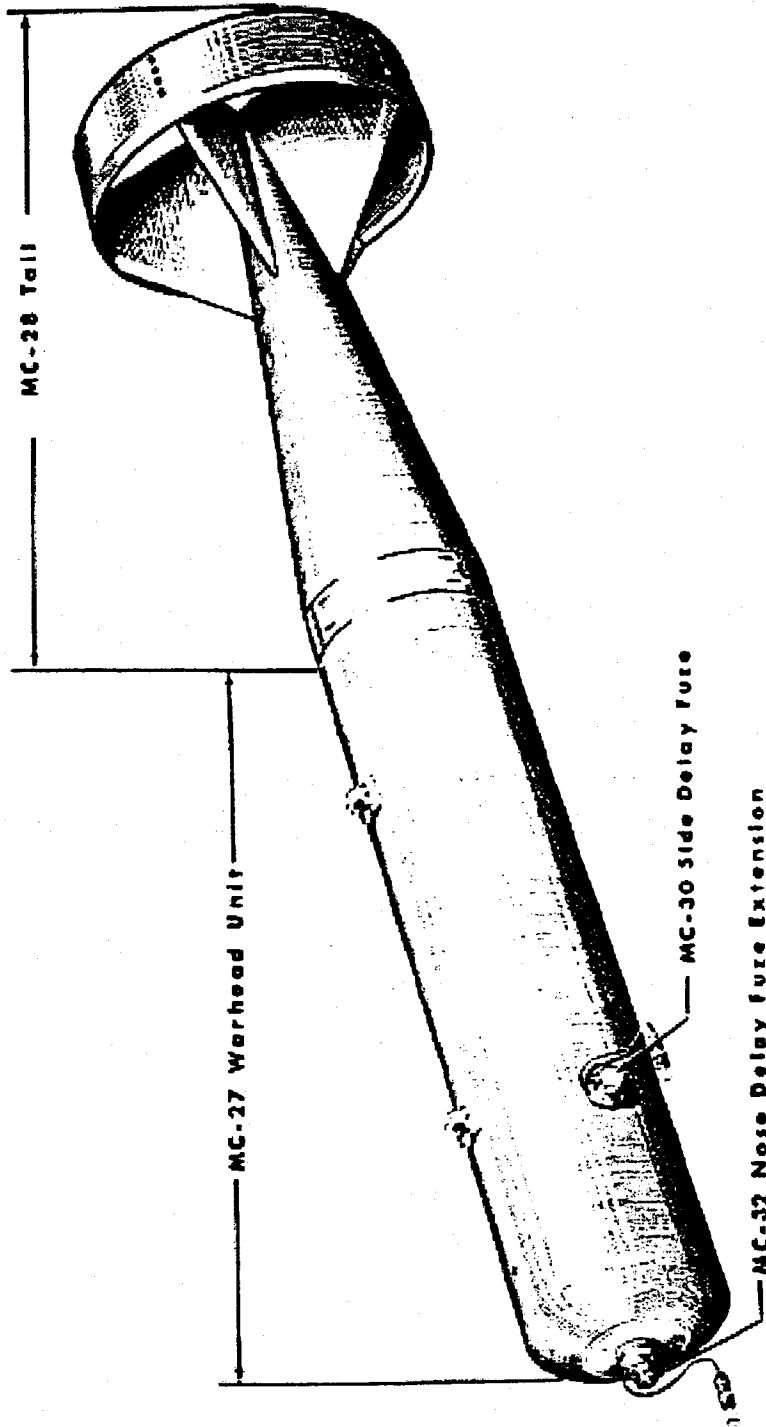
~~This document contains Restricted Data as defined in the Atomic Energy Act of 1954. Unauthorized disclosure is prohibited under Administrative and Criminal Statutes.~~

~~SECRET~~

DEPARTMENT OF ENERGY DECLASSIFICATION REVIEW	
1ST REVIEW-DATE: 8/31/99	DETERMINATION (CIRCLE NUMBER(S))
AUTHORITY: <input type="checkbox"/> ACC <input checked="" type="checkbox"/> ADCC <input type="checkbox"/> ADD	1. CLASSIFICATION RETAINED
NAME: W. Ryan	2. CLASSIFICATION CHANGED TO: _____
2ND REVIEW-DATE: 11/24/99	3. CONTAINS NO DOE CLASSIFIED INFO
AUTHORITY: ADD	4. COORDINATE WITH: _____
NAME: Jim Henry	5. CLASSIFICATION CANCELLED
	6. CLASSIFIED INFO BRACKETED
	7. OTHER (SPECIFY): _____



~~SECRET~~



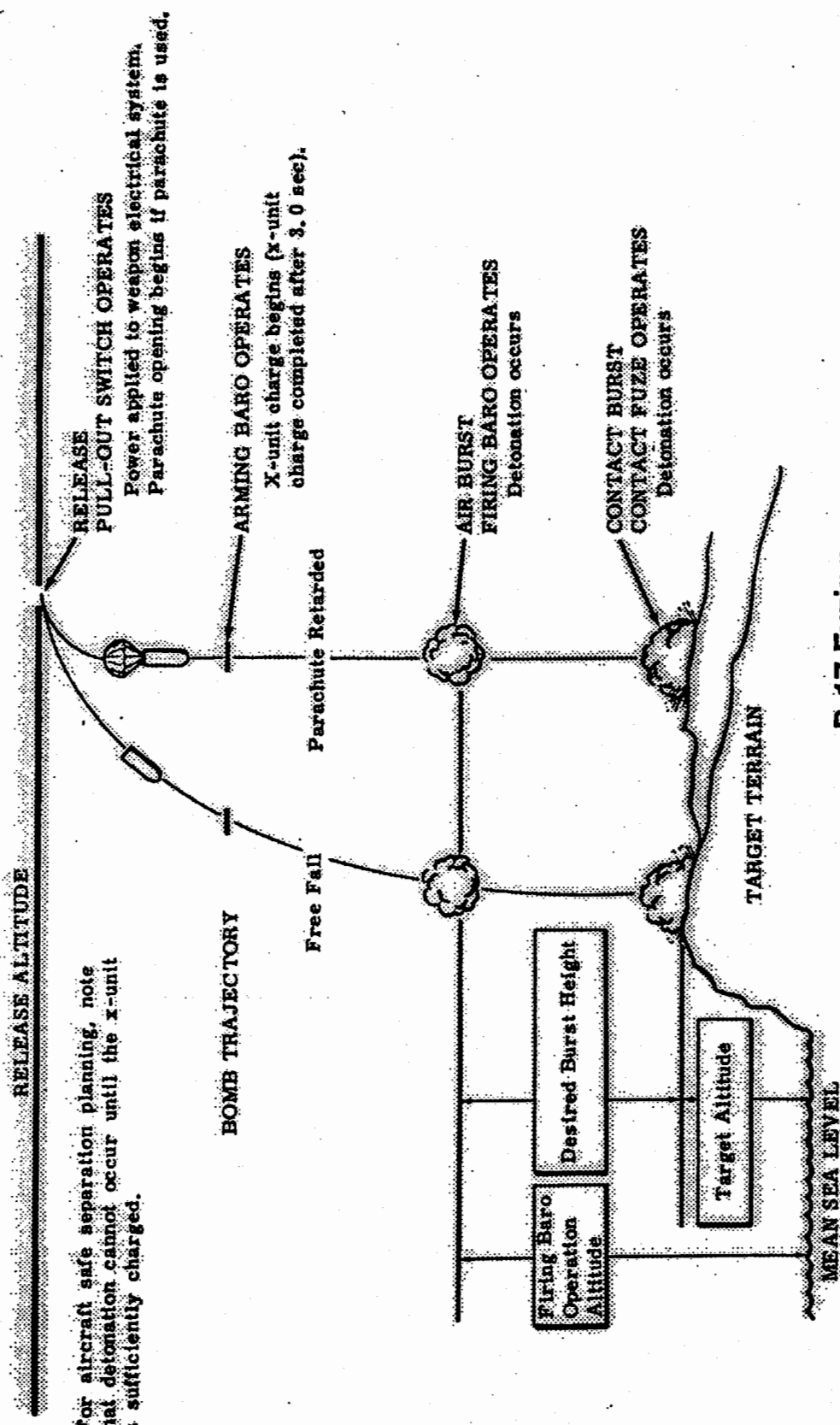
DEPARTMENT OF ENERGY DECLASSIFICATION REVIEW	
1ST REVIEW DATE: 11/19/99	DETERMINATION (CIRCLE NUMBER(S))
AUTHORITY: <input type="checkbox"/> AOC <input checked="" type="checkbox"/> MADC <input type="checkbox"/> ADD	1. CLASSIFICATION RETAINED
NAME: W. B. [Signature]	2. CLASSIFICATION CHANGED TO:
2ND REVIEW DATE: 11/24/99	3. CONTAINS NO DOE CLASSIFIED INFO
AUTHORITY: ADD	4. COORDINATE WITH:
NAME: [Signature]	5. CLASSIFICATION CANCELLED
	6. CLASSIFIED INFO BRACKETED
	7. OTHER (SPECIFY):

~~SECRET~~

~~Document contains Restricted Data... disclosure subject to... Sanctions~~

139

~~SECRET~~



NOTE:

For aircraft safe separation planning, note that detonation cannot occur until the x-unit is sufficiently charged.

### B-17 Fuzing Sequence

DEPARTMENT OF ENERGY DECLASSIFICATION REVIEW	
1ST REVIEW DATE: 9/11/99	DETERMINATION (CIRCLE NUMBER(S))
AUTHORITY: OAC BAC OAD	1. CLASSIFICATION RETAINED
NAME: W. B. [unclear]	2. CLASSIFICATION CHANGED TO:
2ND REVIEW DATE: 11/17/99	3. CONTAINS NO DOE CLASSIFIED INFO
AUTHORITY: ADD	4. COORDINATE WITH:
NAME: [unclear]	5. CLASSIFICATION CANCELLED
	6. CLASSIFIED INFO BRACKETED
	7. OTHER (SPECIFY):

~~RESTRICTED DATA  
This document contains Restricted Data as defined in the Atomic Energy Act of 1954. Unauthorized disclosure subject to Administrative and Criminal Sanctions.~~



~~CONFIDENTIAL~~

RELEASE  
PULLOUT SWITCH OPERATES

Low voltage power supply initiated  
Low voltage power applied to electrical system

RELEASE ALTITUDE

NOTE:  
For aircraft safe separation planning, note that detonation cannot occur until after arm-baro operation

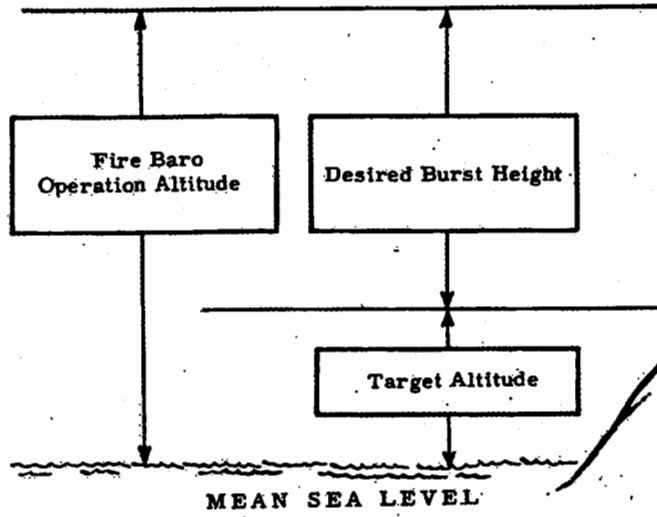
BOMB TRAJECTORY

ARM BARO OPERATES

High voltage supply initiated  
X-unit charge begins (x-unit charge completed after 3.0 seconds)

AIRBURST  
FIRE BARO OPERATES  
Detonation occurs

CONTACT BURST  
CONTACT FUZE OPERATES  
Detonation occurs



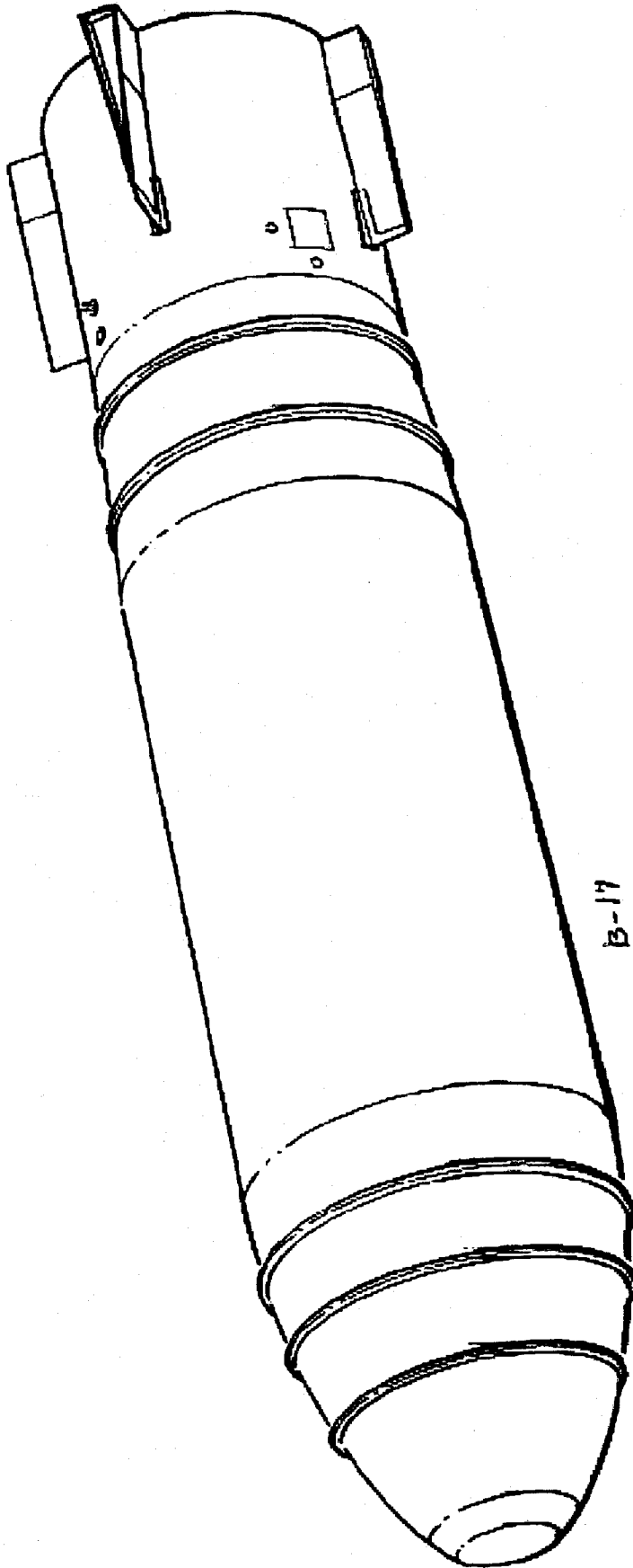
TARGET TERRAIN

DEPARTMENT OF ENERGY DECLASSIFICATION REVIEW	
1ST REVIEW-DATE: 9/1/99	DETERMINATION (CIRCLE NUMBER(S))
AUTHORITY: <input type="checkbox"/> AOC <input checked="" type="checkbox"/> ADOC <input type="checkbox"/> ADD	1. CLASSIFICATION RETAINED
NAME: W. Byrd	2. CLASSIFICATION CHANGED TO:
2ND REVIEW-DATE: 11/29/99	3. CONTAINS NO DOE CLASSIFIED INFO
AUTHORITY: ADD	4. COORDINATE WITH:
NAME: Jim Henry	5. CLASSIFICATION CANCELLED
	6. CLASSIFIED INFO BRACKETED
	7. OTHER (SPECIFY):

~~FOR UNCLASSIFIED DATA~~  
Unauthorized disclosure subject to Administrative and Criminal Sanctions. Handle as Restricted Data in Foreign Assemblies in Section 144.b., Atomic Energy Act, 1954.

~~CONFIDENTIAL~~

~~CONFIDENTIAL~~



B-17

(167)

B17 Bomb

2 - prints 9" 1 - file copy

DEPARTMENT OF ENERGY DECLASSIFICATION REVIEW	
DETERMINATION (CIRCLE NUMBER(S))	
1. CLASSIFICATION RETAINED	<input type="checkbox"/>
2. CLASSIFICATION CHANGED TO:	<input checked="" type="checkbox"/> UNCLASSIFIED
3. CONTAINS NO DOE CLASSIFIED INFO	<input type="checkbox"/>
4. COORDINATE WITH:	<input checked="" type="checkbox"/> 5. CLASSIFICATION CANCELLED
6. CLASSIFIED INFO BRACKETED	<input type="checkbox"/>
7. OTHER (SPECIFY):	
1ST REVIEW DATE: 9/1/99	AUTHORITY: 10 CFR 101.11
2ND REVIEW DATE: 11/27/99	AUTHORITY: ADD
NAME: W. Brown	NAME: Jim Henry

~~RESTRICTED  
This Document contains Restricted Data as defined in Executive Order 12958, 1995. Unauthorized disclosure subject to Administrative Sanctions.~~

~~CONFIDENTIAL~~